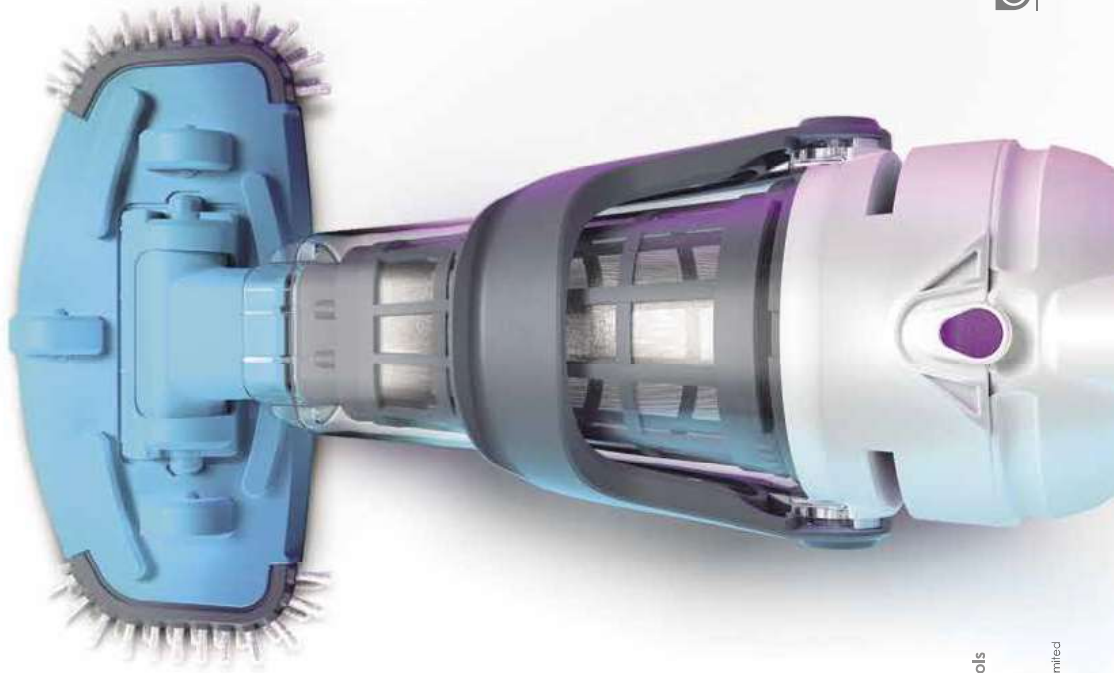


# Telsa<sup>®</sup> 50

## RECHARGEABLE POOL VACUUM

Fast. Powerful.  
Cordless Cleaning Solution



Recommended for  
medium to large pools

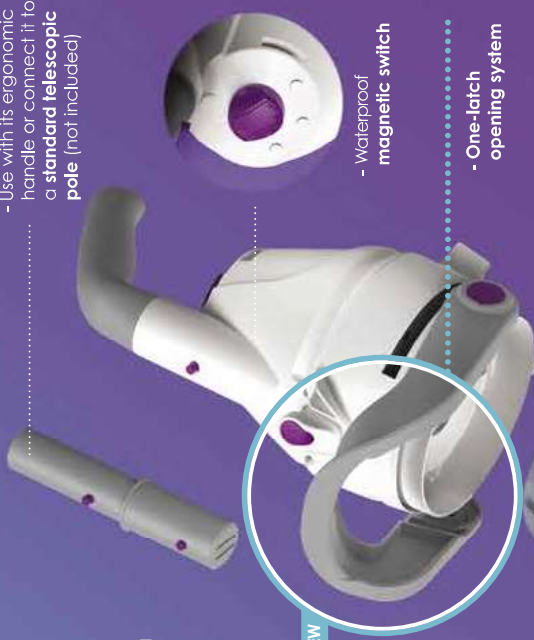
# Telsa<sup>®</sup> 50

EV050CBXEUXXXKOK - For Europe  
EV050CBXUSXXXKOK - For North America  
EV050CBXAUSXXXKOK - For Australia & New Zealand



Max. Depth **3m / 9.8ft**  
Charging Time **5-6 HOURS**  
Battery **2000mAh**  
Voltage **11.1v**

- Use with its ergonomic handle or connect it to a **standard telescopic pole** (not included)



- Waterproof magnetic switch

- One-latch opening system



- Convenient handle

- Large-capacity stainless steel filter  
+29%\*

\* Compare to model EV50CBX

- Removable and pivoting suction head with wheels glides easily on any pool surface

## PACKAGING



L x W x H  
20.5 x 42 x 24cm  
8 x 16½ x 9½in



4pcs IN DISPLAY TRAY  
L x W x H  
44 x 43 x 46.8cm  
17¼ x 16½ x 18½in

CLICK HERE TO SEE PRODUCT VIDEO  
<https://www.youtube.com/watch?v=WJGQ1B1FQI>

Patents No.: US - 9,903,133; 10,030,403 / EU - 002519769-0001 / US - D795-513  
Other patents pending

