

Galaxy Multi-Element Cartridge Filter

DELIVER SUPERIOR ULTRA CLEAR WATER

For residential & commercial pool and spa



 **Emaux**
water technology

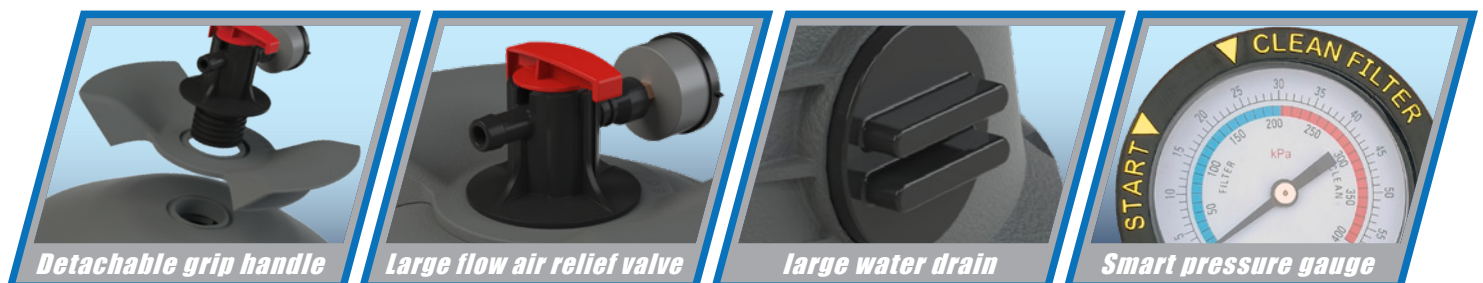
Pool & Spa Equipment

NEW

Product Features

Deliver superior ultra clear water

The Galaxy Multi-Element Cartridge Filter is designed to be the best in its class. Adopting the latest technology and constructed with non-corroding and durable materials, the Emaux Galaxy Cartridge Filter has a bigger filter area than most models on the market. The high capacity tank partnered with the advanced multi-element raises hydraulic dirt-catching performance to new levels. Due to being eco and user friendly, it's the ideal choice for residential and commercial pools.



User friendly

- Indicative pressure gauge tells you when to service
- Optional removable, easy-grip handle
- Knee-height tank base facilitates easy cartridge replacement

Trouble-free maintenance

- 3-session clamp kit allows removing and installing the top tank quickly
- Large water drain makes fast, easy winterisation and simple cleaning and rinsing with a garden hose.

Eco-Friendly

Multi-element provides an enormous surface area to block more dirt thus require less cleaning. Also, no backwashing is needed like sand filters. It can save a large amount of water every year.



Product Information:

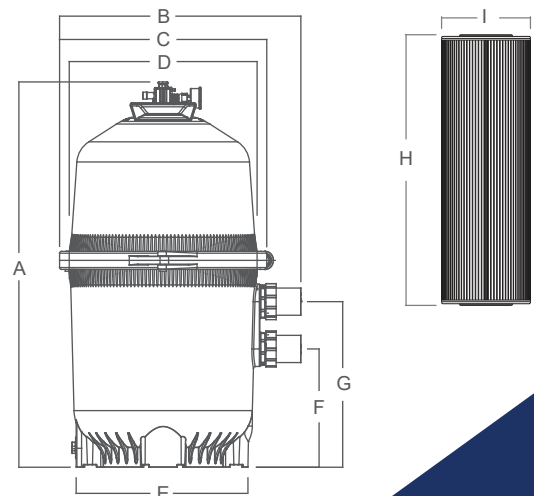
Code	Model	Filter Area		Flow Velocity		Max Flow Rate			In / Outlet Connections		A mm	B mm	C mm	D mm	E mm	F mm	G mm
		ft ²	m ²	gpm/ft ²	m ³ /h/m ²	gpm	lpm	m ³ /h	GB(mm)	ANSI							
9140404	ICF230	230	21.37	0.375	0.916	86.25	326	19.6	GB50	1.5"/2"	829	648	556	504	462	317.5	444.5
9140405	ICF330	330	30.66	0.375	0.916	123.75	468	28.1	GB50	1.5"/2"	886	648	556	504	462	317.5	444.5
9140406	ICF430	430	39.95	0.349	0.852	150	568	34.1	GB50	1.5"/2"	1035	648	556	504	462	317.5	444.5
9140407	ICF530	530	49.24	0.283	0.692	150	568	34.1	GB50	1.5"/2"	1223	648	556	504	462	317.5	444.5
9140408	ICF680	680	63.17	0.221	0.539	150	568	34.1	GB50	1.5"/2"	1362	648	556	504	462	317.5	444.5

Cartridge Filter Element:

Code	Model	No. of Element	H mm	I mm	Micron µm	Fold Number
914100007	ICF230-CE	4	441	Ø178	15	156
914100008	ICF330-CE	4	498	Ø178	15	198
914100009	ICF430-CE	4	647	Ø178	15	197
914100010	ICF530-CE	4	835	Ø178	15	187
914100011	ICF680-CE	8	485	Ø178	15	209

Galaxy Series Filter is equipped with :

1. universal standard of union connection
2. pressure gauge
3. cartridge filter element



EMAUX WATER TECHNOLOGY CO., LTD

ADDRESS: Flat A-D, 20/F., Kai Bo 22, 22 Wing Kin Road,
Kwai Chung, HK

PHONE +852 2832 9880

www.emauxgroup.com

 **YOUR PREMIER SUPPLIER**

Available from:

ALL SPECIFICATIONS ARE SUBJECT TO CHANGE WITHOUT NOTICE.
© 2021 EMAUX WATER TECHNOLOGY CO., LTD. ALL RIGHTS RESERVED.

www.emauxgroup.com