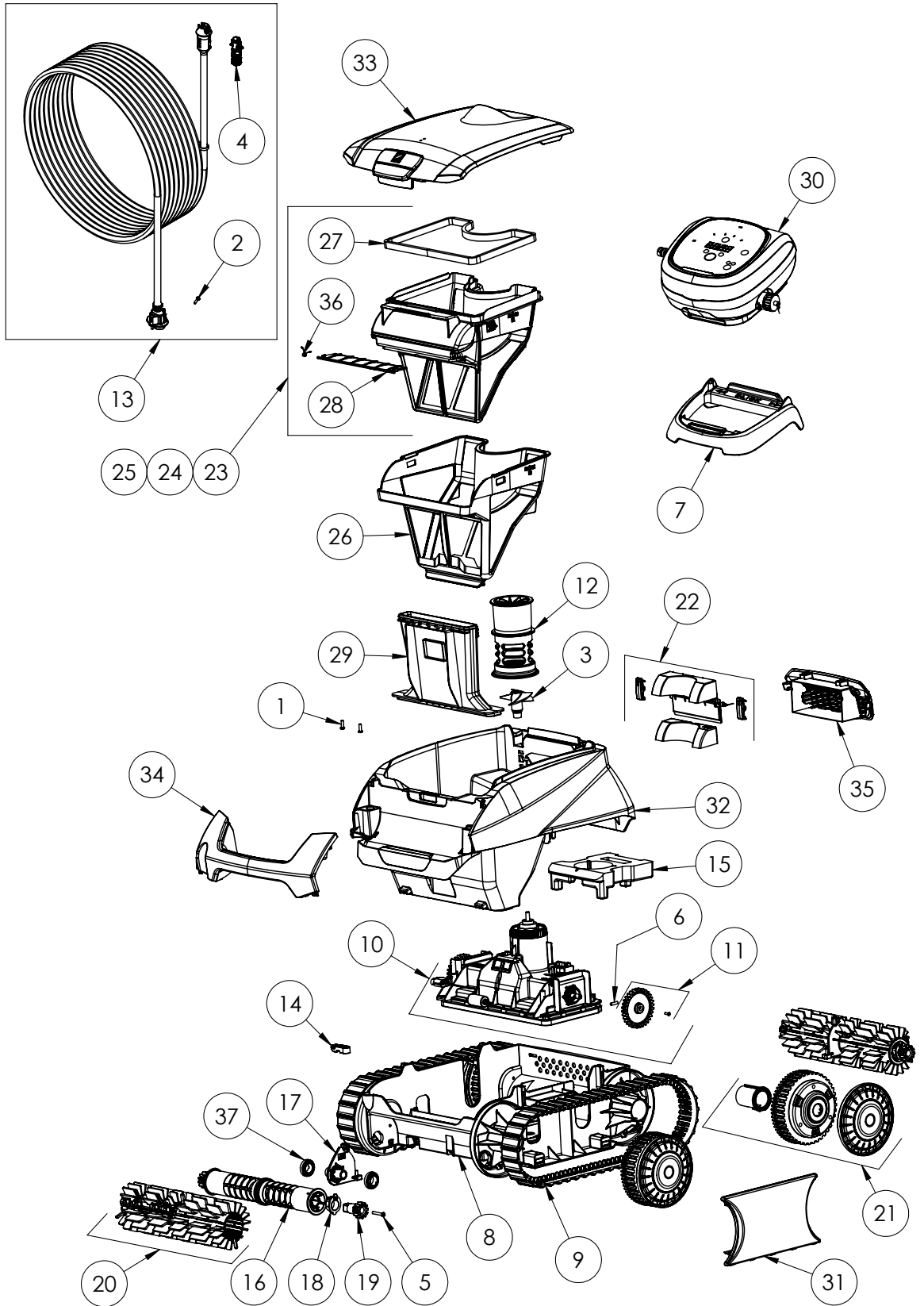




RE 4400 iQ

Spare Parts



Position	Description	Reference
1	Screw 4*12 mm (Set Of 5)	R0516700
2	Screw 4*16mm (Set Of 5)	R0608500
3	Impeller	R0633200
4	Connector 3Pts Body	R0634100
5	Screw 4*25 mm (Set Of 5)	R0638900
6	Motor Block Shaft Pin Ø4 (Set Of 5)	R0657900
7	Control Unit Base	R0662600
8	Lower Housing Chassis CN	R0895100
9	Track CN (*2)	R0895200
10	Motor Block Kit CN, Led	R0895500
11	Drive Gear Kit (*2)	R0895600
12	Flow Outlet CN	R0895700
13	Floating Cable CN, 18M	R0895900
14	Cable Strain Relief CN	R0896200
15	Chassis Float CN	R0896300
16	Brush Roller CN (*2)	R0896400
17	Roller Support CN	R0896500
18	Outer Bearing CN, (*2)	R0896600
19	12 Point Gear, CN (*2)	R0896700
20	Brush Scrubber CN Grey (*2)	R0896900
21	Wheel CN, Black	R0897300
22	Rear Flap Door Kit CN	R0897400
23	Filter CN 100µ - Single	R0897500
24	Filter CN 150µ - Dual	R0897600
25	Filter CN 200µ - Single	R0897700
26	Over Filter CN 60µ - Dual	R0898100
27	Canister Seal CN	R0898300
28	Canister Inlet Flap CN	R0898400
29	Inlet Channel CN	R0898500
30	Control Box CN Type 3 Eu	R0898800
31	Short Flange CN Black (*2)	R0902400
32	Body Housing CN B, Navy Blue	R0902600
33	Complete Cover CN B, Smoke Z	R0902700
34	Handle CN B, Light Grey	R0903300
35	Rear Grid CN B, Black	R0903400
36	Canister Inlet Flap Spring CN	R0905500
37	Ball Bearing	W79034
/	Carton Re 4400 iQ	C0332100